

CHECKLIST SUPERMARKET

Features of the supermarket

G3 Aluminium

G2 Steel

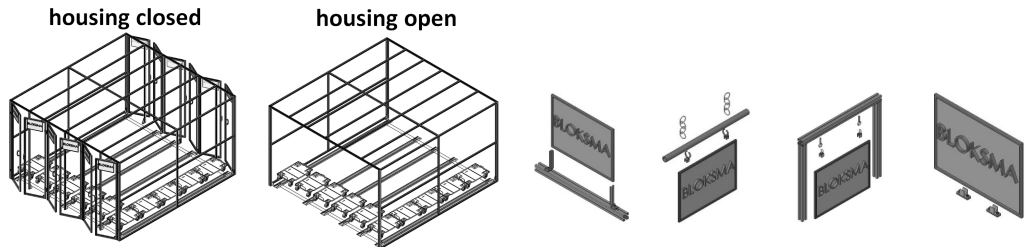
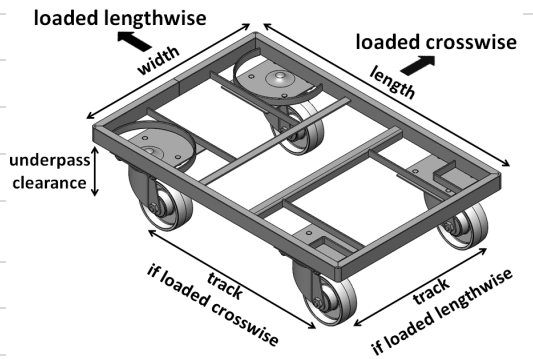


Generation	<input type="checkbox"/> G3 (Aluminium)	<input type="checkbox"/> G2 (Steel)	
Track	<input type="checkbox"/> 41 mm (G3)	<input type="checkbox"/> 42 mm (G2)	<input type="checkbox"/> 52 mm (G2-G3)
	<input type="checkbox"/> 95 mm (G2 special)	<input type="checkbox"/> special version	
Number of trolleys next to each other			pieces
Number of trolleys one behind another			pieces

Features of the trolley

Item No. / Brand

Length	mm
Width	mm
SPW insertion direction (distance between wheels)	mm
Wheel diameter	mm
Wheel width	mm
Brake	<input type="checkbox"/> YES <input type="checkbox"/> NO
Wheel pairing	<input type="checkbox"/> 2 swivel / 2 fixed castors <input type="checkbox"/> 4 swivel castors



Labeling		B	K	H	P
Housing	<input type="checkbox"/> open	<input type="checkbox"/> closed	<input type="checkbox"/> without housing		
Label	<input type="checkbox"/> one-sided	<input type="checkbox"/> double-sided	<input type="checkbox"/> without labelling		
Label type	<input type="checkbox"/> H	<input type="checkbox"/> P	<input type="checkbox"/> K		
	<input type="checkbox"/> B				
Label size	<input type="checkbox"/> DIN A3	<input type="checkbox"/> DIN A4	<input type="checkbox"/> DIN A5		
Label colour	<input type="checkbox"/> blue	<input type="checkbox"/> yellow	<input type="checkbox"/> green		
	<input type="checkbox"/> red	<input type="checkbox"/> white	<input type="checkbox"/> black		
Label amount	pieces				
Label height	mm (vertical module)				

Additional comments